

Sage™ Systems

HIGH PRESSURE SANITIZING SYSTEMS



Construction:

Stainless steel frame, bracket, structure, and hardware.

Stainless Float tank with 1" air gap to prevent backflow.

Leeson commercial electric motor with manual reset thermal overload protection.

35 foot (10.7m) power cord with GFCI and plug.

6 foot (1.8m) water inlet hose, with 3/4" garden hose thread.

Cat Triplex plunger pump.

Vacuum formed ABS cover.

All fluid handling components are brass, stainless, or high pressure hose.

Light 5/16" dia Spray hose, bright yellow, non-marking, with flex guards and 1/4" brass Quick Disconnect sockets at each end.

Ergonomic spray gun with stainless wand, heat insulating grip, and adjustable nozzle for low/high pressure and steam/spray.

Features:

Fully certified and listed as a pressure washer for commercial indoor use.

In-line water filter protects machine from debris.

Adjustable Unloader valve allows the unit to idle and recirculate when the spray gun is closed.

Pressure Relief Valve maintains a safe maximum pressure.

Thermal Relief Valve prevents recirculated water from overheating while idling by discharging 100ml of heated water and replacing it with cool water. Discharge occurs at 165°F.

AutoChem Feature:

Automatically switch from chemical To rinse at spray gun, by switching The nozzle from low to high pressure.

Note: Chemicals are ONLY applied at low pressure (about 1/10 of machine maximum rated pressure).

Options:

Solenoid Valve

Opens on demand to allow siphon action of pump to pull chemical into system with gravity's help at adjustable mix ratio.

Peristaltic Pump

Pulls chemicals against gravity or over longer distances. Meters chemicals to specific, adjustable mix ratios. (230 Volt machines use a diaphragm pump with similar features).

Manual Hose Reel

Stainless Steel reel for installation at machine or remote station Holds up to 75 feet of hose. Keeps work site neat and organized.

Item: _____

Project: _____

Product: Sage Wallmount

Model: SW- _____

| | | | | |
|----|---|---|----|---|
| 06 | 0 | 1 | 03 | N |
| 08 | 1 | 2 | 05 | R |
| 10 | 2 | 3 | 07 | |
| | 3 | | 10 | |

1. Pick a Pressure

06 = 600 psi (41 bar) maximum

08 = 800 psi (55 bar) maximum

10 = 1000 psi (69 bar) maximum

2. Pick a Chemical Injection Method

0 = Soap and Sanitize, Gravity fed (solenoid)

1 = Soap and Sanitize, Pump fed (peristaltic)

2 = Soap only, Gravity fed (solenoid)

3 = Soap only, Pump fed (peristaltic)

3. Pick a Power Supply

1 = 115 Volt, 60 Hertz

2 = 230 Volt, 50 Hertz

3 = 230 Volt, 60 Hertz

4. Pick a Hose Length

03 = 30 feet (9.1 meters)

05 = 50 feet (15.2 meters)

07 = 75 feet (22.9 meters)

10 = 100 feet (30.5 meters)

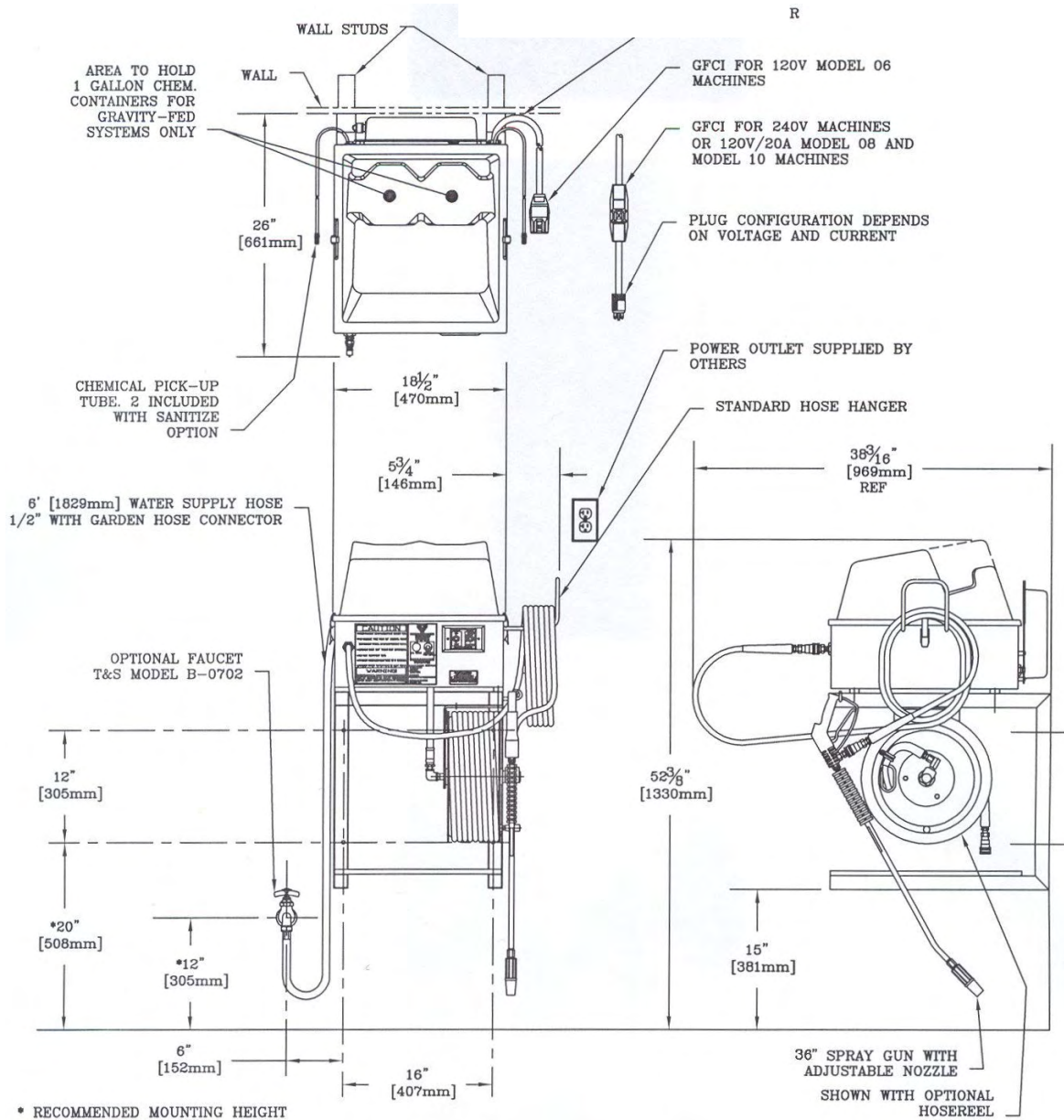
5. Optional Suffixes

N = No other options

R = Stainless Manual Hose Reel (up to 75' of hose)

Specifications

| 06 Models | 08 Models | 10 Models |
|---------------------|---------------------|---------------------|
| 600 PSI (41 bar) | 800 PSI (55 bar) | 1000 PSI (69 bar) |
| 2.9 gpm (11.0 lpm) | 2.9 gpm (11.0 lpm) | 2.9 gpm (11.0 lpm) |
| 1.5 HP motor | 2.0 HP motor | 2.0 HP motor |
| 12 AMPS @ 115 Volts | 15 AMPS @ 115 Volts | 18 AMPS @ 115 Volts |



Master Distributors

USA & Canada

Market Equipment & Repair
 7300 Quimby St. Paramount, CA 90733. USA
 Tel: +1 562 529 5494 Fax: + 1 562 529 5310
 Email: nick@marketequipmentrepair.com
 Web: www.marketequipmentrepair.com

United Kingdom

Sage Sanitizing Systems
 Unit 4, Cheney Manor Industrial Estate
 Swindon, Wiltshire, England SN2 2UD
 Tel: + (0)1793 603487 Fax: + 44 (0)1793 603489
 Email: sagesales@sagesanitizingsystems.com
 Web: www.sagesanitizingsystems.com



Worldwide Manufacturing Facility

Sage Sanitizing Systems
 Unit 4, Cheney Manor Industrial Estate
 Swindon, Wiltshire, England SN2 2UD
 Tel: + (0)1793 603487 Fax: + 44 (0)1793 603489
 Email: sagesales@sagesanitizingsystems.com
 Web: www.sagesanitizingsystems.com

Master Distributors

Middle East

D & S Exports Inc
 24 Broad Street, Norwalk, CT 06851. USA
 Tel: +1 203 847 6446 Fax: + 1 203 849 9526
 Email: s.straut@dsusa.net
 Web: www.dsusa.net

South Asia and Pacific Rim

D & S Exports Pure Support SDN BHD
 29-6 Block F2, Jalan PJU 1/42A, Dataran Prima,
 47301 Petaling Jaya, Selangor Darul Ehsan, MALAYSIA
 Tel: 603 7880 5758 Fax: 603 7880 5760
 Email: puresup@dsusa.net
 Web: www.dsusa.net