



REG. #A2601
ISO #9001

Model No.
SHR-7112-01

Item No.

This Space for Architect/Engineer Approval

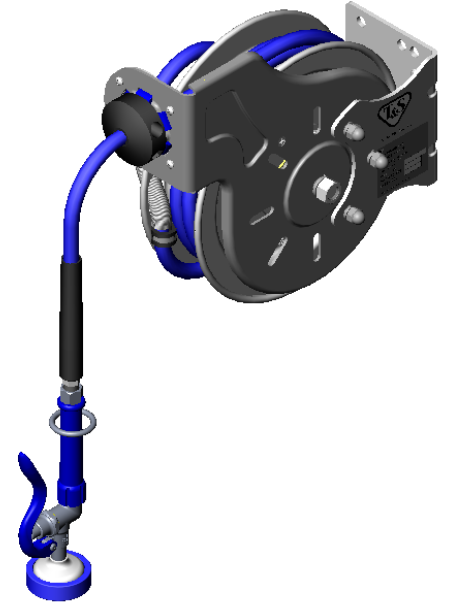
Job Name _____ Date _____

Model Specified _____ Quantity _____

Customer/Wholesaler _____

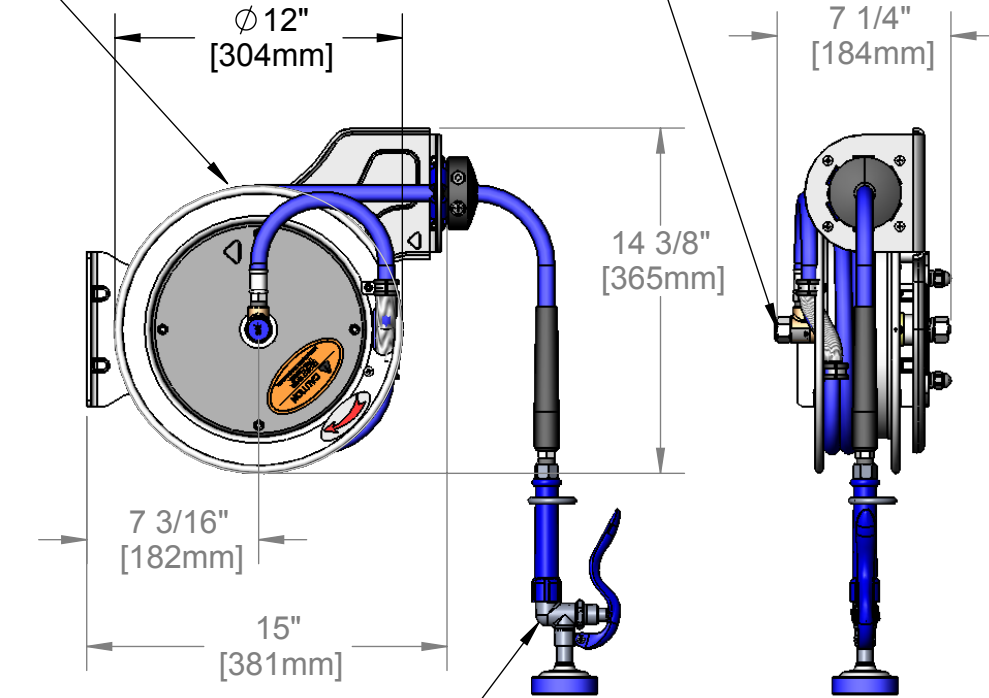
Contractor _____

Architect/Engineer _____

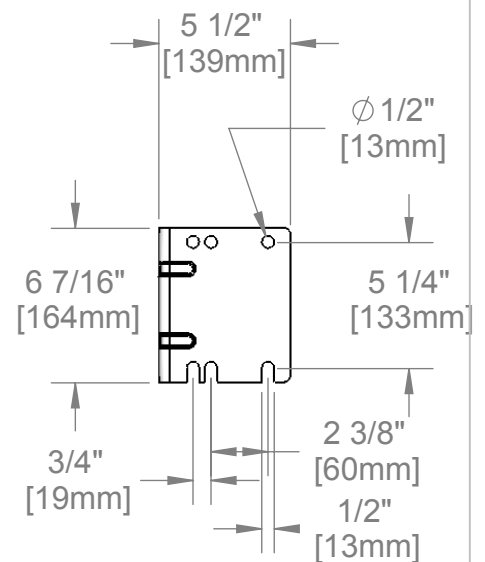


3/8" NPT Female Inlet
(Left Side of Reel)

Open Stainless Steel Hose Reel;
15 Ft. of 3/8" Hose



EB-0107



Product Specifications:

Hose Reel System:
3/8" x 15 Ft. Open Stainless Steel Reel
EB-0107 Blue Spray Valve

Drawn
JRM

Checked
DHL

Approved
JHB

Scale:

1:8

Date:

10/26/07

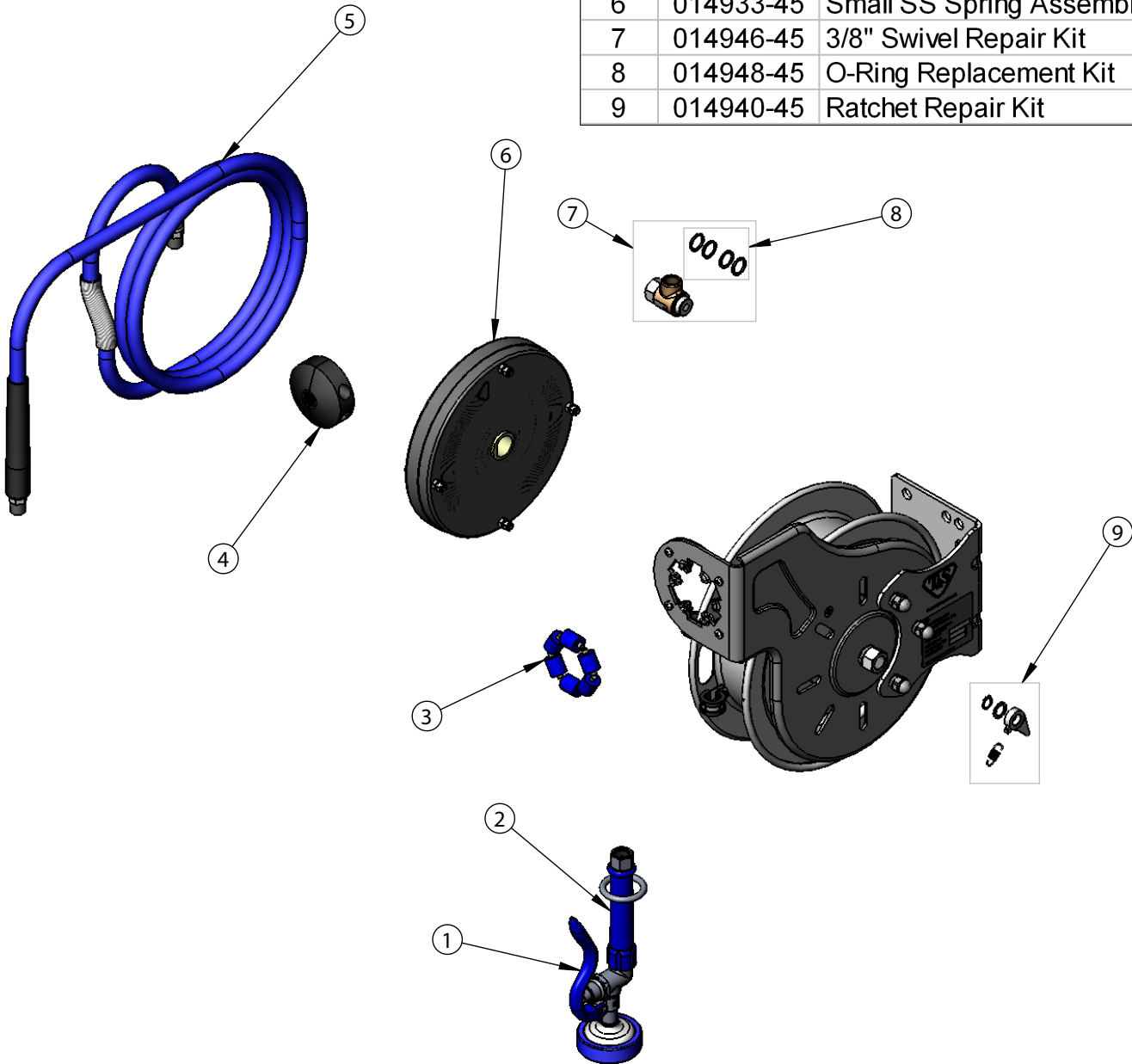


REG. #A2601
ISO #9001

Model No.
SHR-7112-01

Item No.

1	EB-0107	Hi-Flow Blue Spray Valve
2	012504-40	Blue Handle Grip
3	014938-45	Roller Assembly Repair Kit
4	014949-45	Hose Stop Repair Kit
5	014944-45	3/8" x 15' Hose Replacement Kit
6	014933-45	Small SS Spring Assembly
7	014946-45	3/8" Swivel Repair Kit
8	014948-45	O-Ring Replacement Kit
9	014940-45	Ratchet Repair Kit



Product Specifications:

Hose Reel System:
3/8" x 15 Ft. Open Stainless Steel Reel
EB-0107 Blue Spray Valve

Drawn JRM	Checked DHL	Approved JHB
Scale: 1:8		Date: 10/26/07