



Model No.
SHR-7122-C01

Item No.

This Space for Architect/Engineer Approval

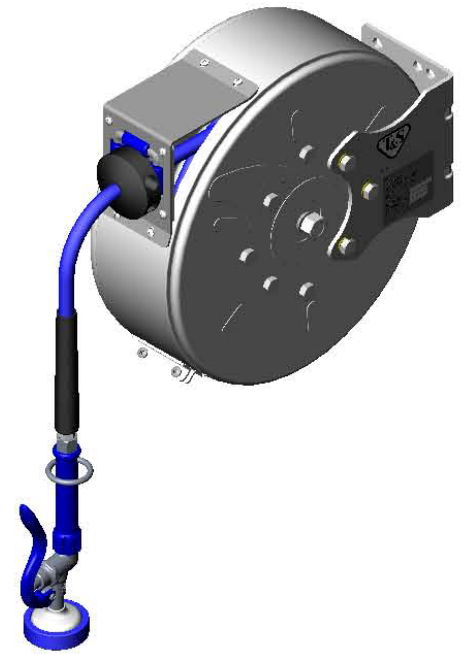
Job Name _____ Date _____

Model Specified _____ Quantity _____

Customer/Wholesaler _____

Contractor _____

Architect/Engineer _____

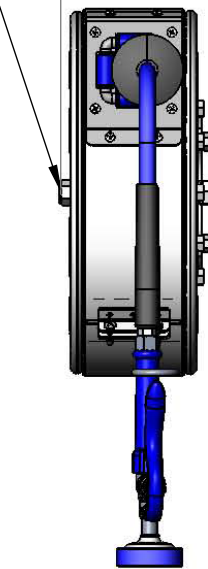
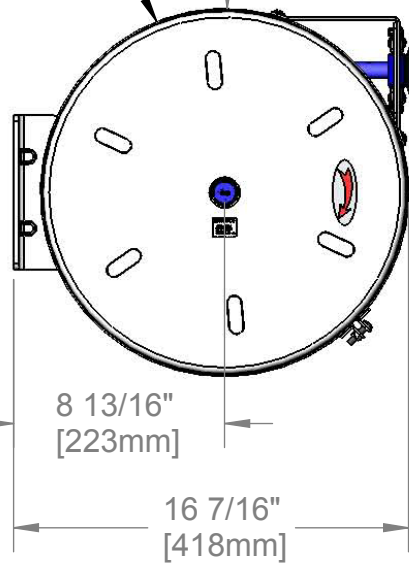


3/8" NPT Female Inlet
(Left Side of Reel)

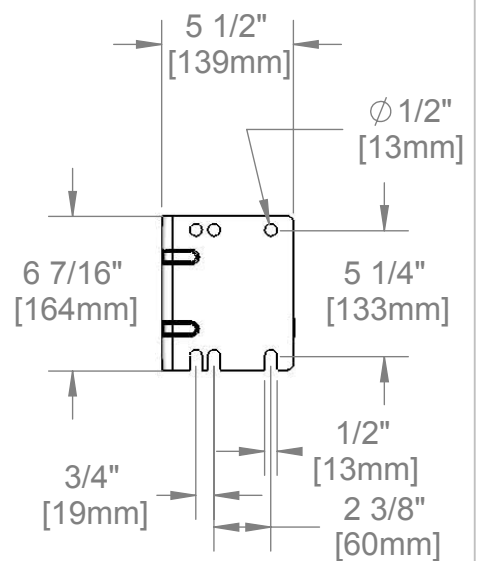
Enclosed Stainless Steel Hose Reel;
30 Ft. of 3/8" Hose

Ø 15 3/8"
[390mm]

6 7/16"
[164mm]



EB-0107
Blue Spray Valve



Product Specifications:

3/8" x 30 Ft. Enclosed Stainless Steel Reel
EB-0107 Blue Spray Valve

Drawn
JRM

Checked
DHL

Approved
JHB

Scale:

1:8

Date:

12/19/07

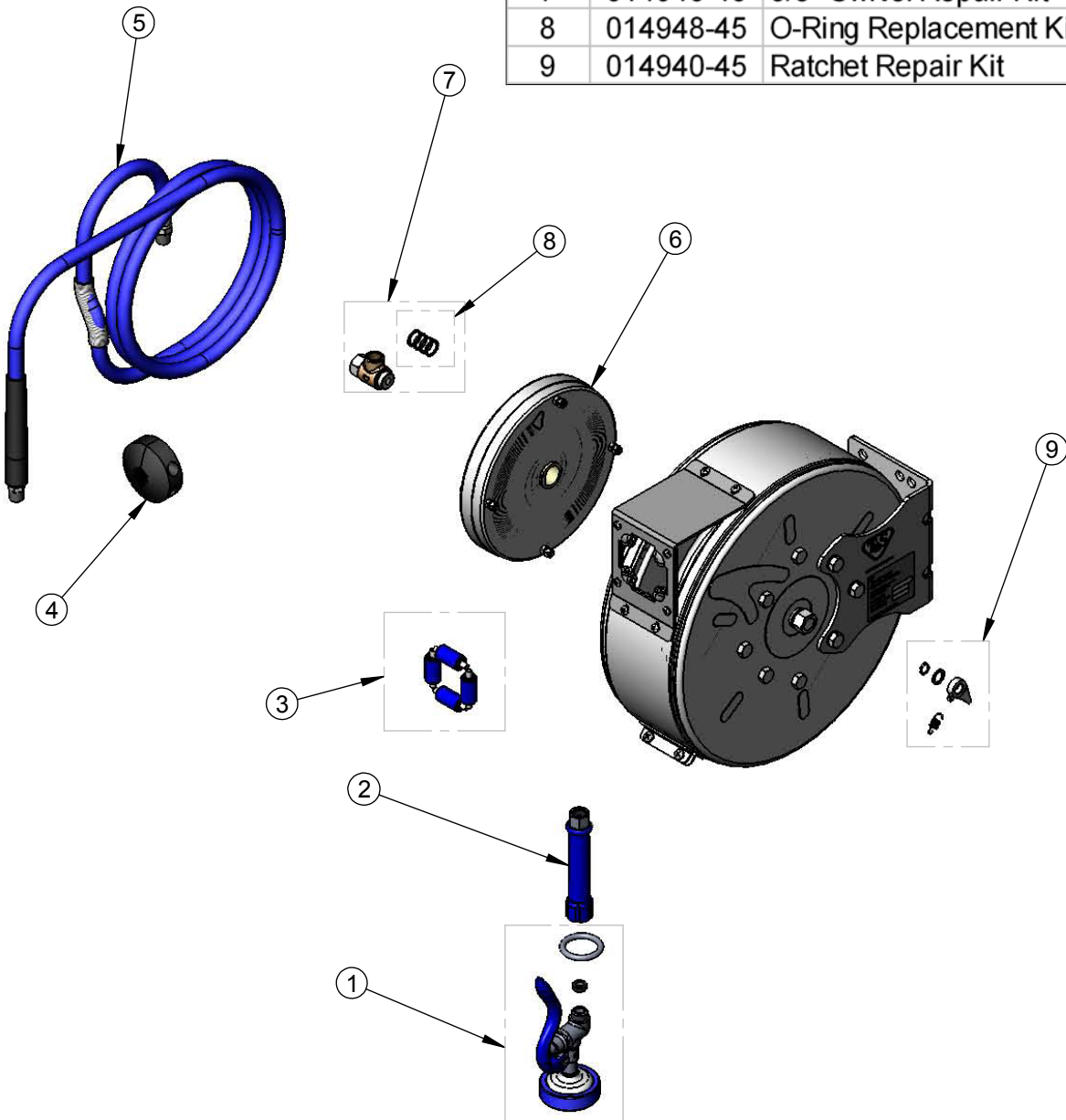


REG. #A2601
ISO #9001

Model No.
SHR-7122-C01

Item No.

1	EB-0107	Hi-Flow Blue Spray Valve
2	012504-40	Blue Handle Grip
3	014936-45	Roller Assembly Repair Kit
4	014949-45	Hose Stop Repair Kit
5	014943-45	3/8" x 30' Hose Replacement Kit
6	014933-45	Small SS Spring Assembly
7	014946-45	3/8" Swivel Repair Kit
8	014948-45	O-Ring Replacement Kit
9	014940-45	Ratchet Repair Kit



Product Specifications:

3/8" x 30 Ft. Enclosed Stainless Steel Reel
EB-0107 Blue Spray Valve

Drawn
JRM

Checked
DHL

Approved
JHB

Scale:

1:8

Date:

12/19/07