



REG. #A2601
ISO #9001

Model No.
SHR-7142-01

Item No.

This Space for Architect/Engineer Approval

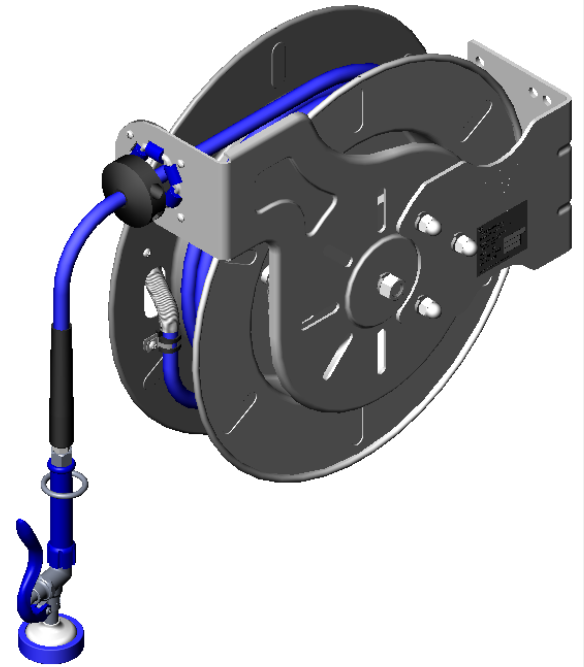
Job Name _____ Date _____

Model Specified _____ Quantity _____

Customer/Wholesaler _____

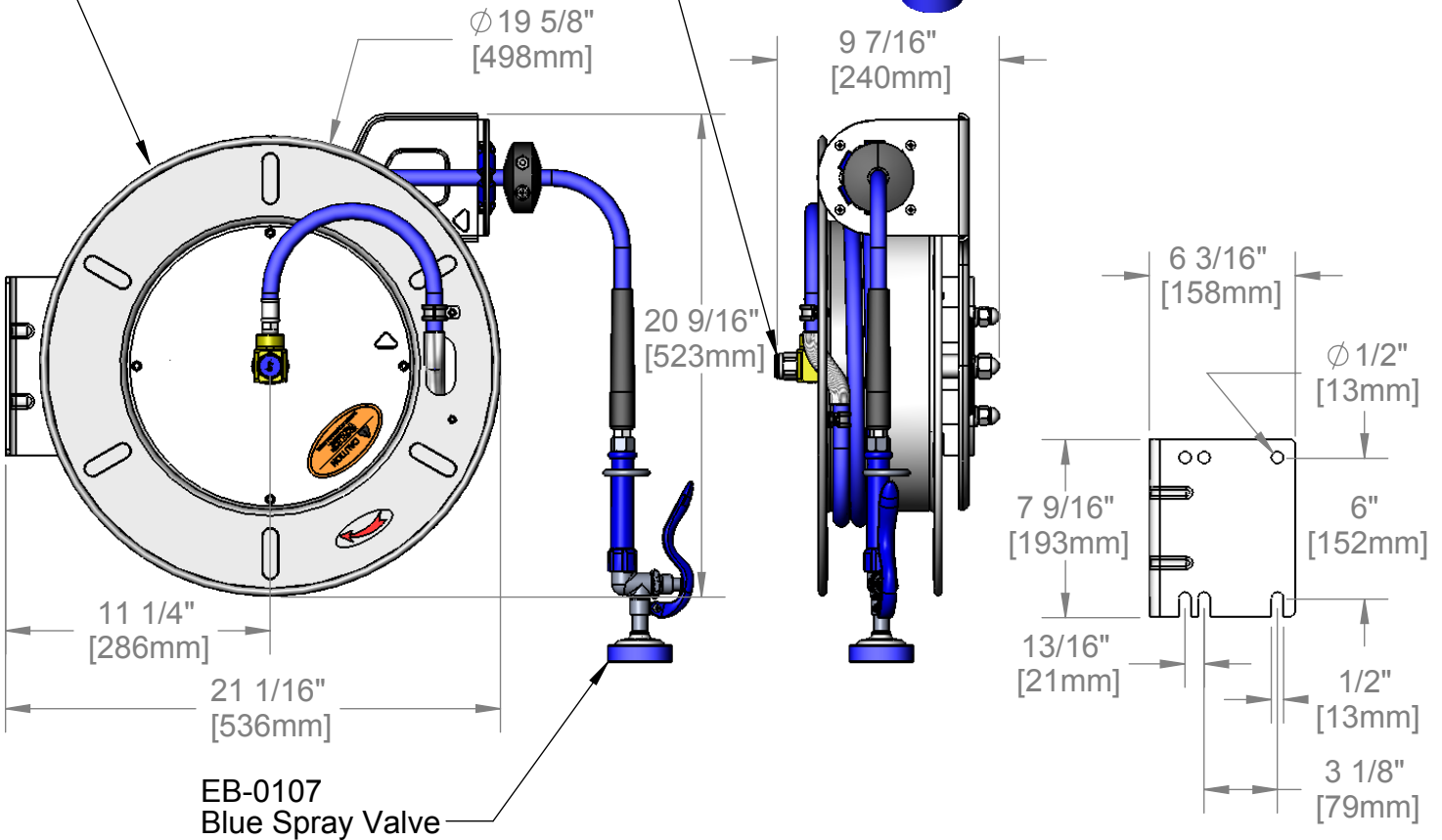
Contractor _____

Architect/Engineer _____



3/8" NPT Female Inlet
(Left Side of Reel)

Open Stainless Steel Hose Reel;
50 Ft. of 3/8" Hose



Product Specifications:

3/8" x 50 Ft. Open Stainless Steel Reel
EB-0107 Blue Spray Valve

Drawn JRM	Checked DHL	Approved JHB
Scale: 1:8	Date: 12/19/07	

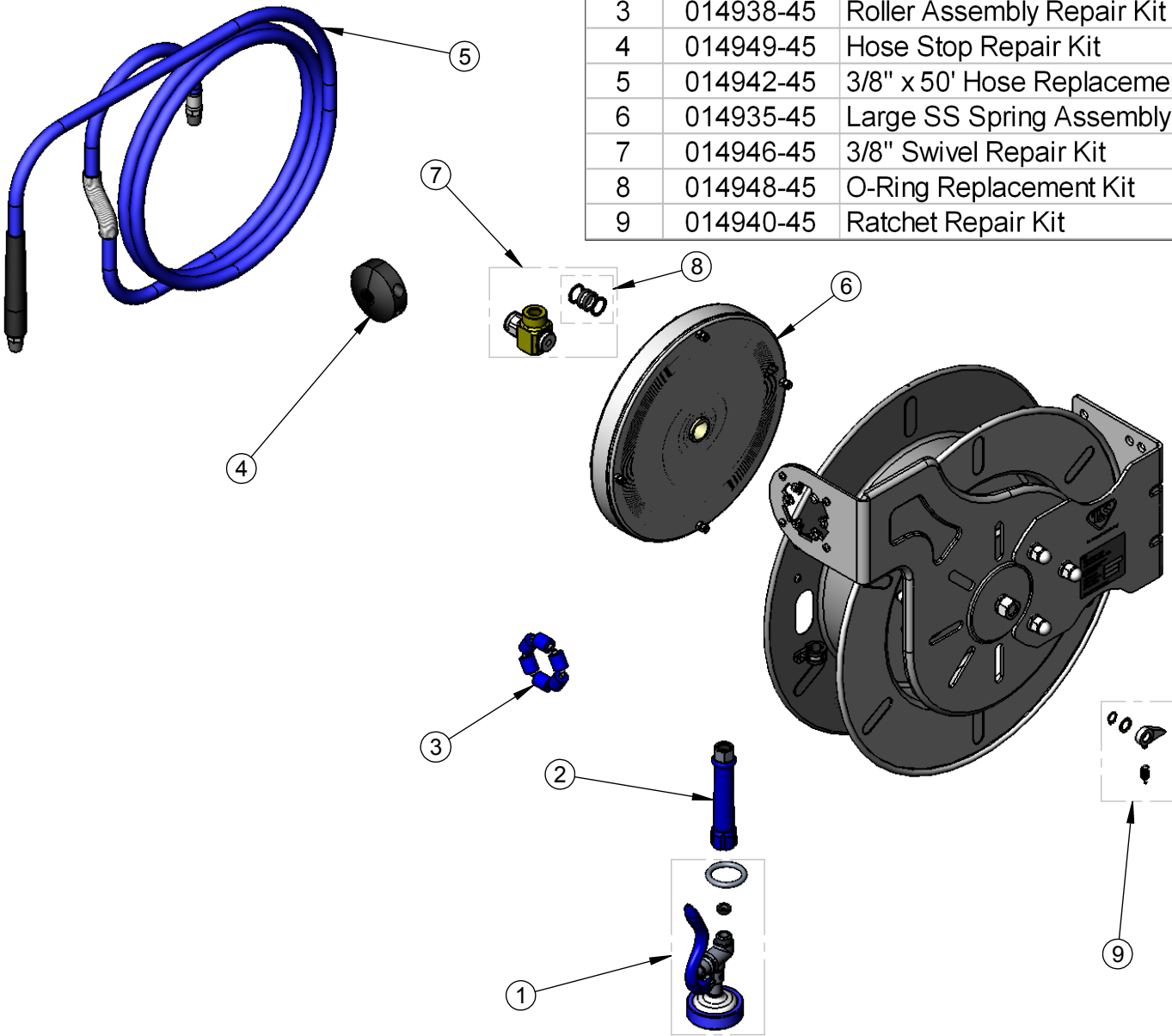


REG. #A2601
ISO #9001

Model No.
SHR-7142-01

Item No.

ITEM NO.	SALES NO.	DESCRIPTION
1	EB-0107	Hi-Flow Blue Spray Valve
2	012504-40	Blue Handle Grip
3	014938-45	Roller Assembly Repair Kit
4	014949-45	Hose Stop Repair Kit
5	014942-45	3/8" x 50' Hose Replacement Kit
6	014935-45	Large SS Spring Assembly
7	014946-45	3/8" Swivel Repair Kit
8	014948-45	O-Ring Replacement Kit
9	014940-45	Ratchet Repair Kit



Product Specifications:

3/8" x 50 Ft. Open Stainless Steel Reel
EB-0107 Blue Spray Valve

Drawn
JRM

Checked
DHL

Approved
JHB

Scale:

1:8

Date:

12/19/07