



Model No.
B-7142-C01

Item No.

This Space for Architect/Engineer Approval

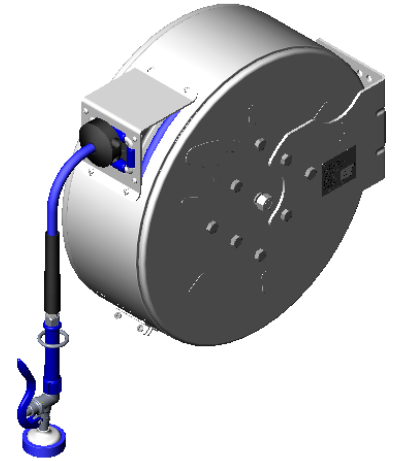
Job Name _____ Date _____

Model Specified _____ Quantity _____

Customer/Wholesaler _____

Contractor _____

Architect/Engineer _____

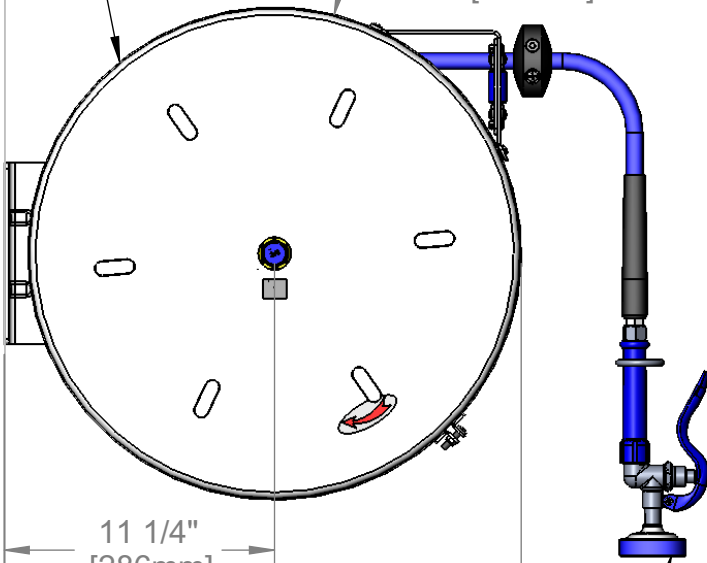


3/8" NPT Female Inlet
(Left Side of Reel)

Enclosed Stainless Steel Hose Reel;
50 Ft. of 3/8" Hose

Ø 20 9/16"
[522mm]

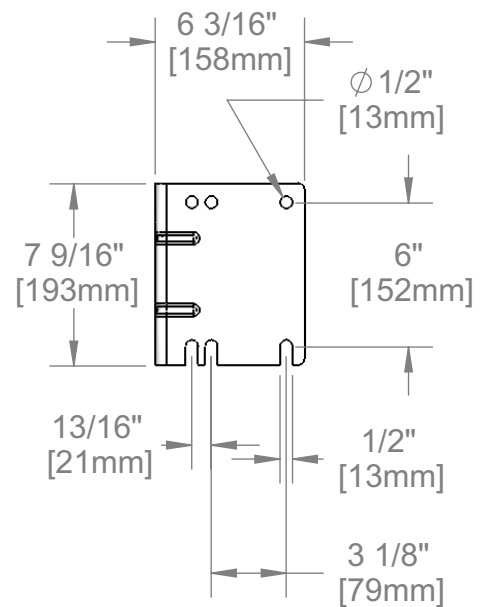
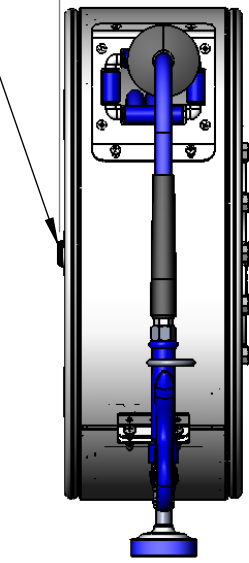
8 7/16"
[214mm]



11 1/4"
[286mm]

21 9/16"
[547mm]

EB-0107
Blue Spray Valve



Product Specifications:

3/8" x 50 Ft. Enclosed Stainless Steel Reel
EB-0107 Blue Spray Valve

Drawn
JRM

Checked
DHL

Approved
JHB

Scale:

1:8

Date:

12/19/07

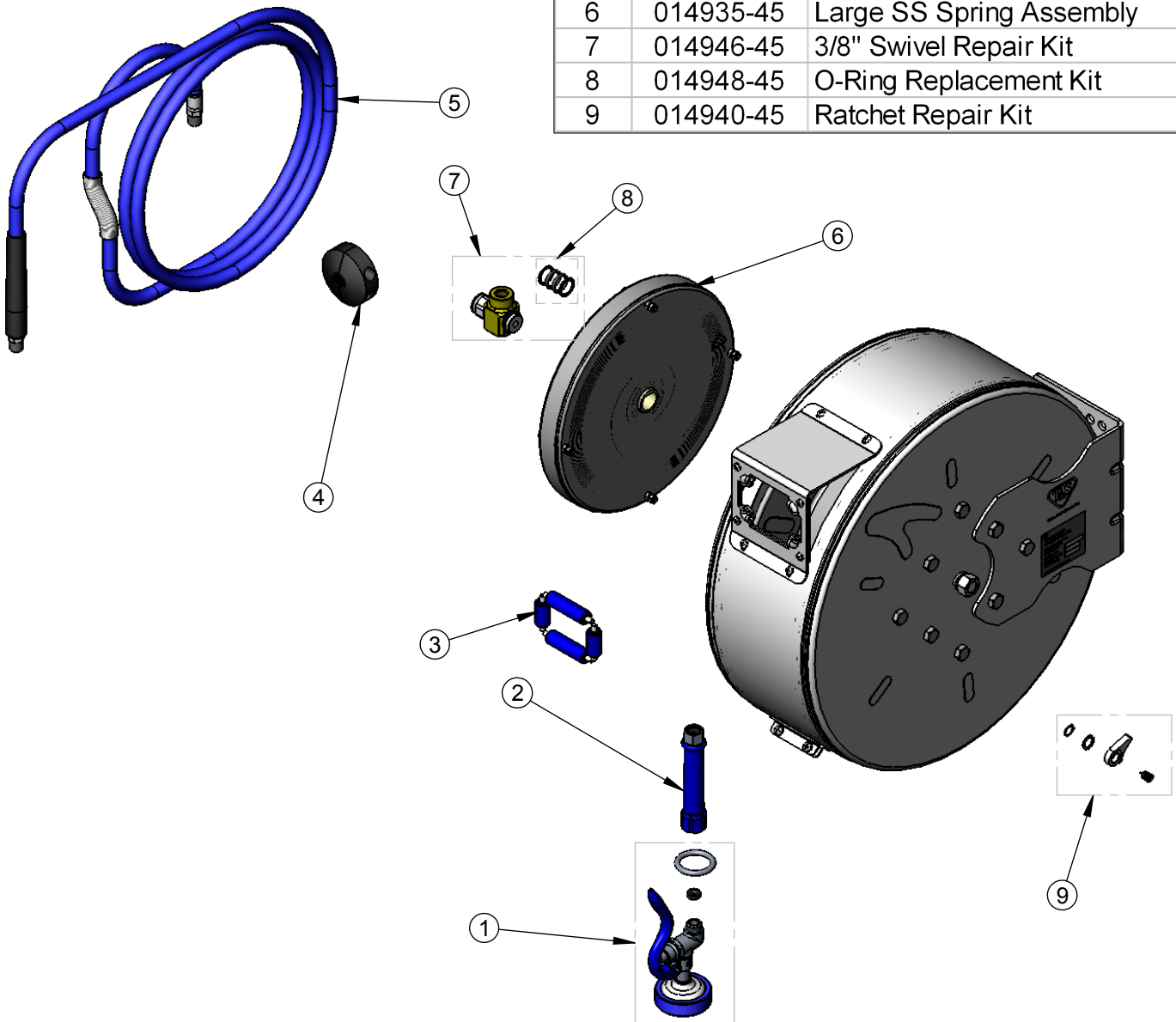


REG. #A2601
ISO #9001

Model No.
B-7142-C01

Item No.

ITEM NO.	SALES NO.	DESCRIPTION
1	EB-0107	Hi-Flow Blue Spray Valve
2	012504-40	Blue Handle Grip
3	014937-45	Roller Assembly Repair Kit
4	014949-45	Hose Stop Repair Kit
5	014942-45	3/8" x 50' Hose Replacement Kit
6	014935-45	Large SS Spring Assembly
7	014946-45	3/8" Swivel Repair Kit
8	014948-45	O-Ring Replacement Kit
9	014940-45	Ratchet Repair Kit



Product Specifications:

3/8" x 50 Ft. Enclosed Stainless Steel Reel
EB-0107 Blue Spray Valve

Drawn
JRM

Checked
DHL

Approved
JHB

Scale:

1:8

Date:

12/19/07