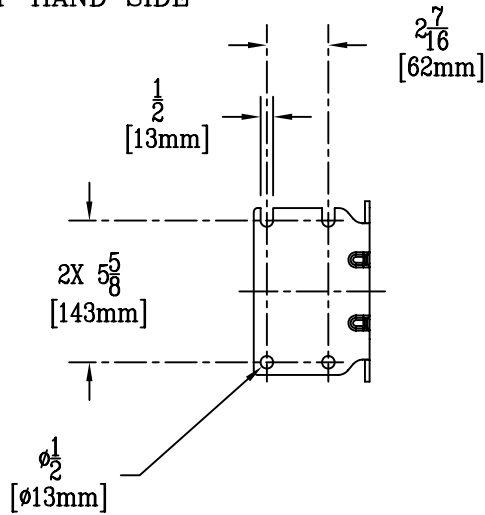
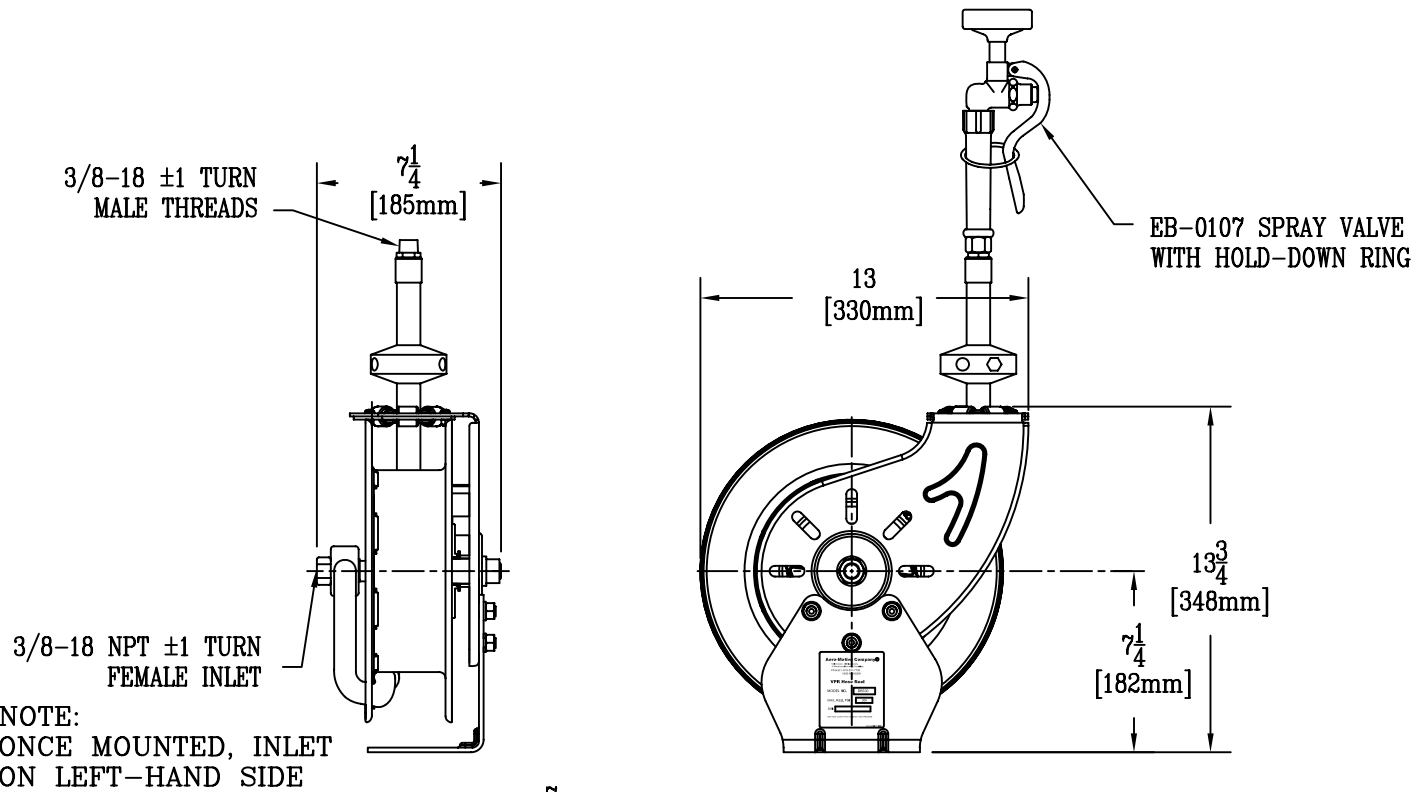


Job Name:

Architect/Engineer Approval:

Notes:



EPAAct2005 NON-COMPLIANT

Product Description:
 HOSEREEL, OPEN, EPOXY POWDER COATED STEEL,
 W/ ABS DRUM, 15 FT OF 3/8 DIA. BLUE HOSE &
 EB-0107 SPRAY VALVE

Drawn:

DHL

Checked

WJS

Scale:

1 : 8

Approved

JHB

Date:

8/18/06