



REG. #A2601
ISO #9001

Model No.
SHR-7222-C01

Item No.

This Space for Architect/Engineer Approval

Job Name _____ Date _____

Model Specified _____ Quantity _____

Customer/Wholesaler _____

Contractor _____

Architect/Engineer _____

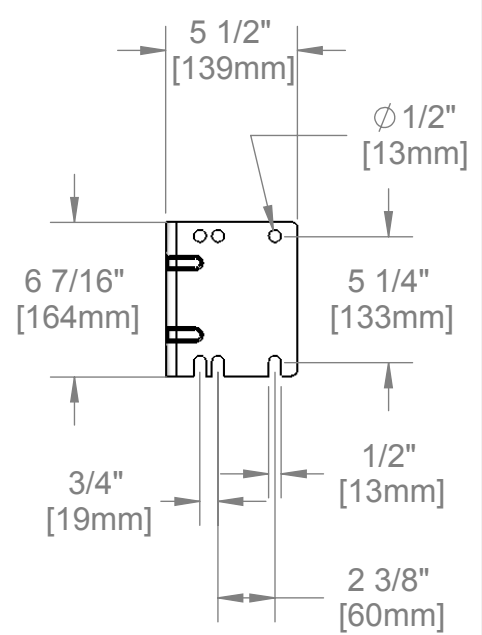
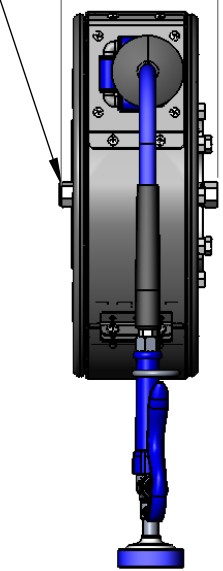
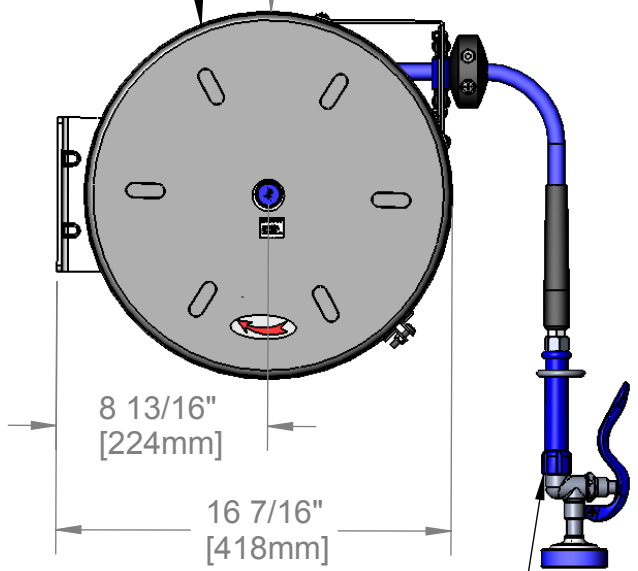


3/8" NPT Female Inlet
(Left Side of Reel)

Enclosed Coated Hose Reel;
30 Ft. of 3/8" Hose

Ø 15 3/8"
[390mm]

6 1/2"
[166mm]



EB-0107
Blue Spray Valve

Product Specifications:
3/8" x 30 Ft. Enclosed Coated Reel
EB-0107 Blue Spray Valve

Drawn JRM	Checked DHL	Approved JHB
Scale: 1:8	Date: 12/19/07	

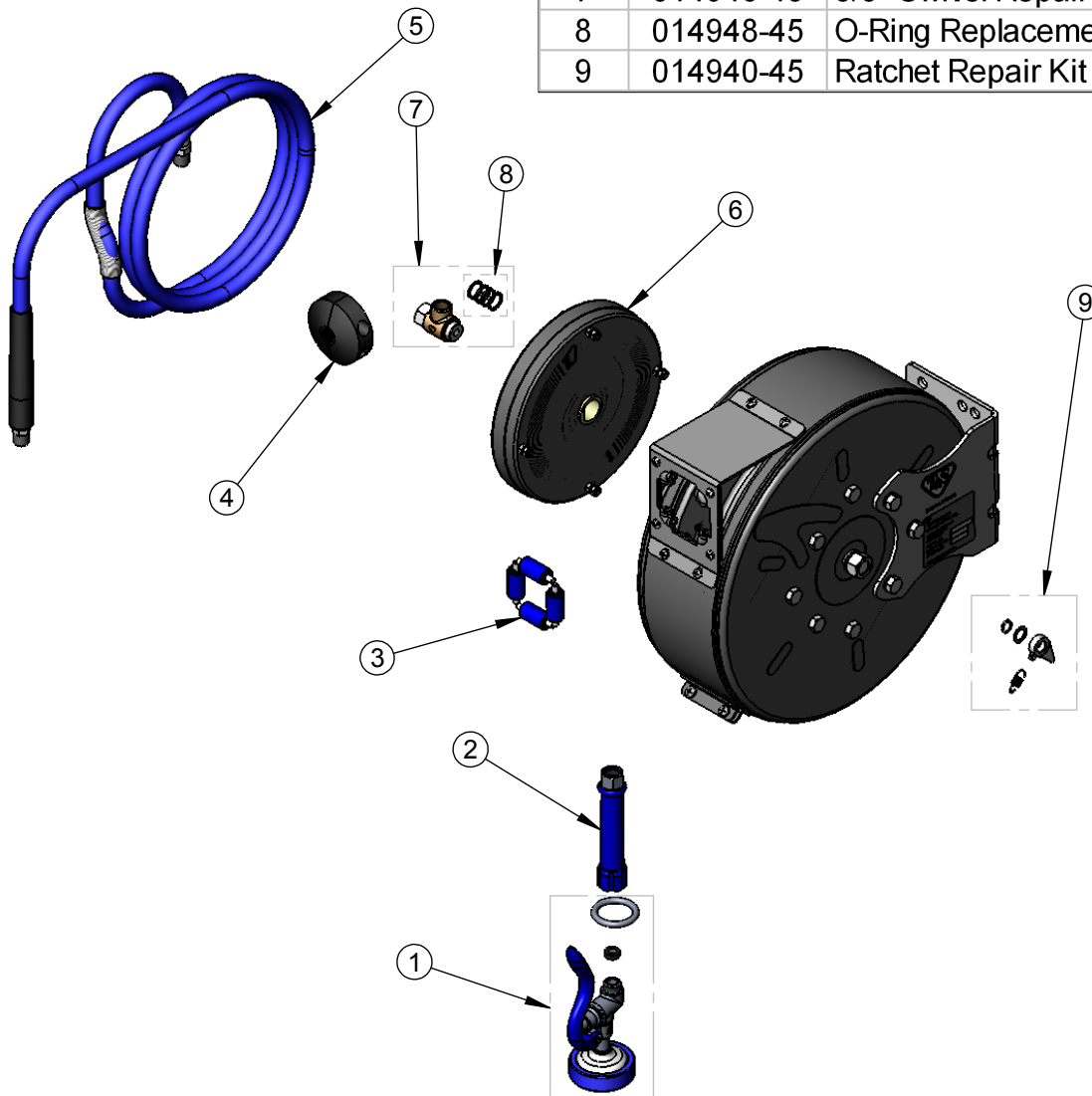


REG. #A2601
ISO #9001

Model No.
SHR-7222-C01

Item No.

ITEM NO.	SALES NO.	DESCRIPTION
1	EB-0107	Hi-Flow Blue Spray Valve
2	012504-40	Blue Handle Grip
3	014936-45	Roller Assembly Repair Kit
4	014949-45	Hose Stop Repair Kit
5	014943-45	3/8" x 30' Hose Replacement Kit
6	014932-45	Small Spring Assembly
7	014946-45	3/8" Swivel Repair Kit
8	014948-45	O-Ring Replacement Kit
9	014940-45	Ratchet Repair Kit



Product Specifications:

3/8" x 30 Ft. Enclosed Coated Reel
EB-0107 Blue Spray Valve

Drawn
JRM

Checked
DHL

Approved
JHB

Scale:

1:8

Date:

12/19/07