



REG. #A2601  
ISO #9001

Model No.  
SHR-7242-C01

Item No.

This Space for Architect/Engineer Approval

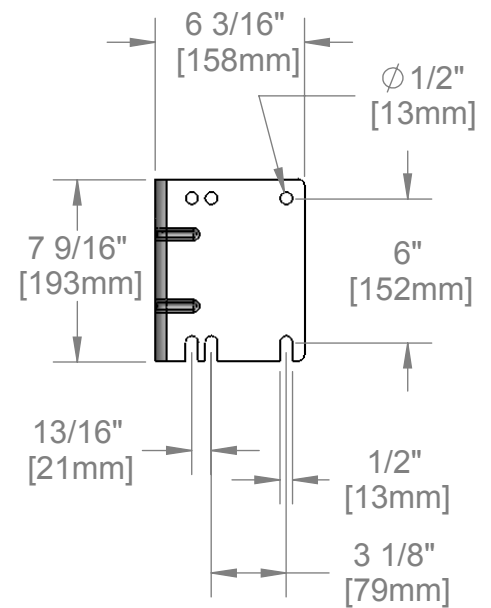
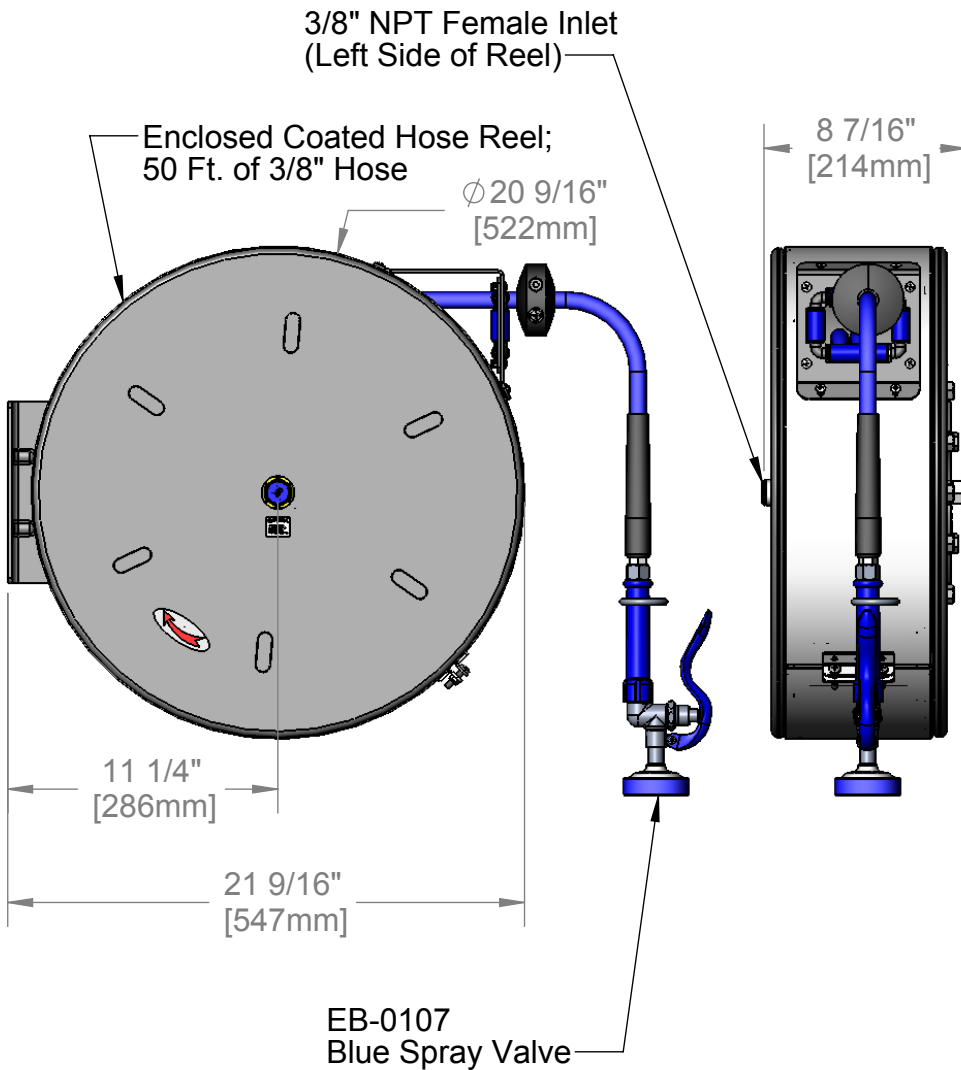
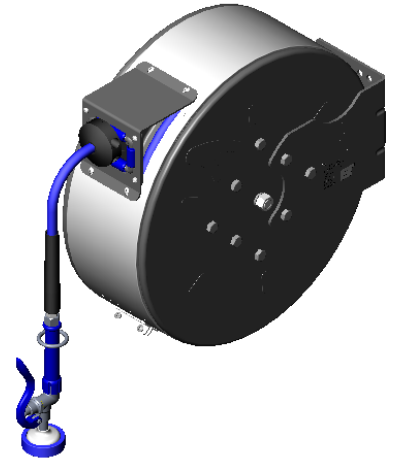
Job Name \_\_\_\_\_ Date \_\_\_\_\_

Model Specified \_\_\_\_\_ Quantity \_\_\_\_\_

Customer/Wholesaler \_\_\_\_\_

Contractor \_\_\_\_\_

Architect/Engineer \_\_\_\_\_



Product Specifications:  
**3/8" x 50 Ft. Enclosed Coated Reel**  
**EB-0107 Blue Spray Valve**

Drawn JRM	Checked DHL	Approved JHB
Scale: 1:8	Date: 12/19/07	

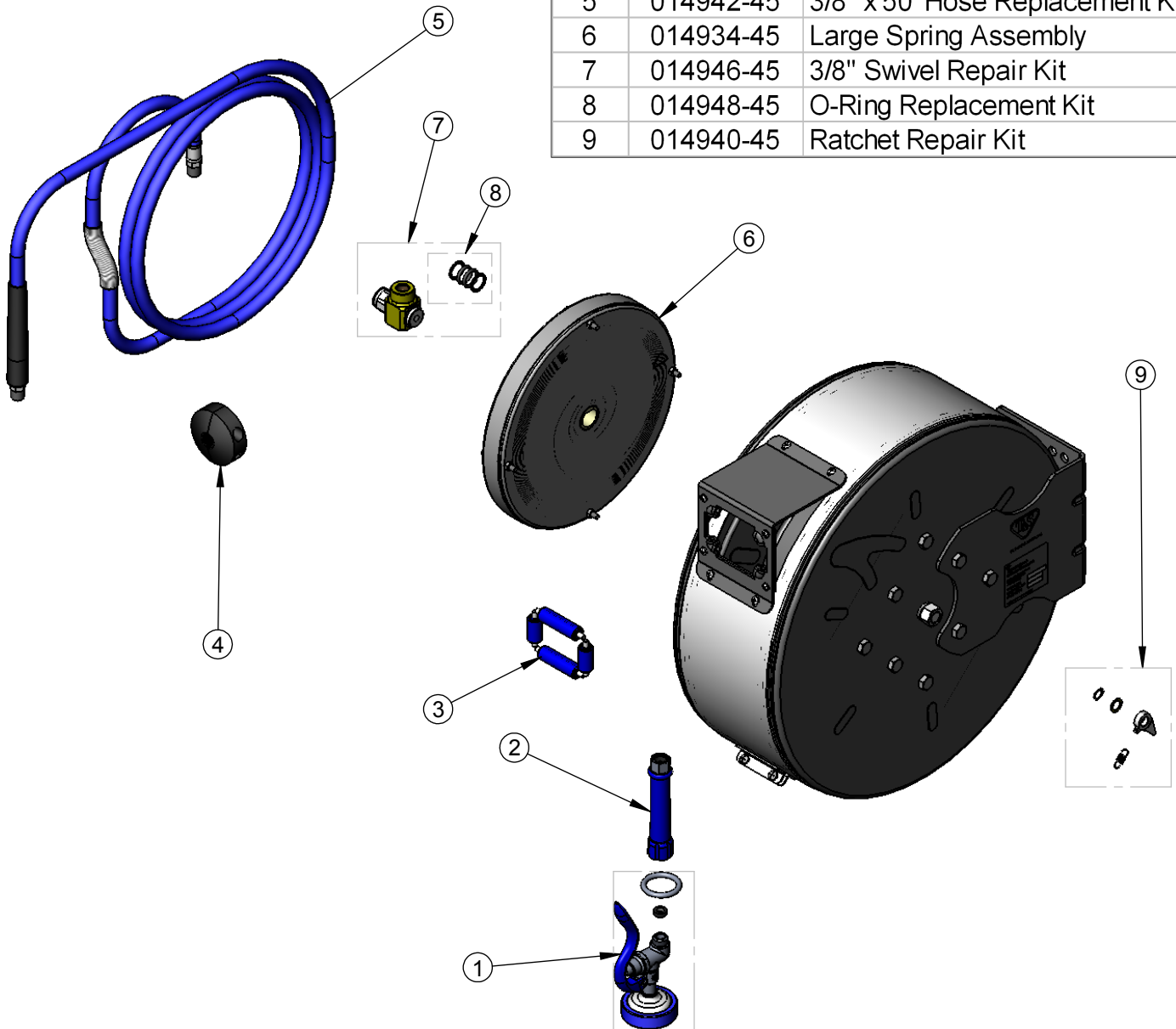


REG. #A2601  
ISO #9001

Model No.  
SHR-7242-C01

Item No.

ITEM NO.	SALES NO.	DESCRIPTION
1	EB-0107	Hi-Flow Blue Spray Valve
2	012504-40	Blue Handle Grip
3	014937-45	Roller Assembly Repair Kit
4	014949-45	Hose Stop Repair Kit
5	014942-45	3/8" x 50' Hose Replacement Kit
6	014934-45	Large Spring Assembly
7	014946-45	3/8" Swivel Repair Kit
8	014948-45	O-Ring Replacement Kit
9	014940-45	Ratchet Repair Kit



Product Specifications:

3/8" x 50 Ft. Enclosed Coated Reel  
EB-0107 Blue Spray Valve

Drawn  
JRM

Checked  
DHL

Approved  
JHB

Scale:

1:8

Date:

12/19/07