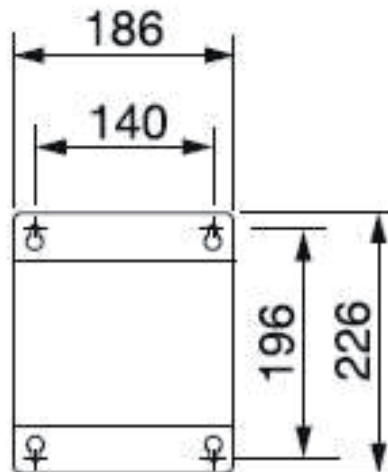
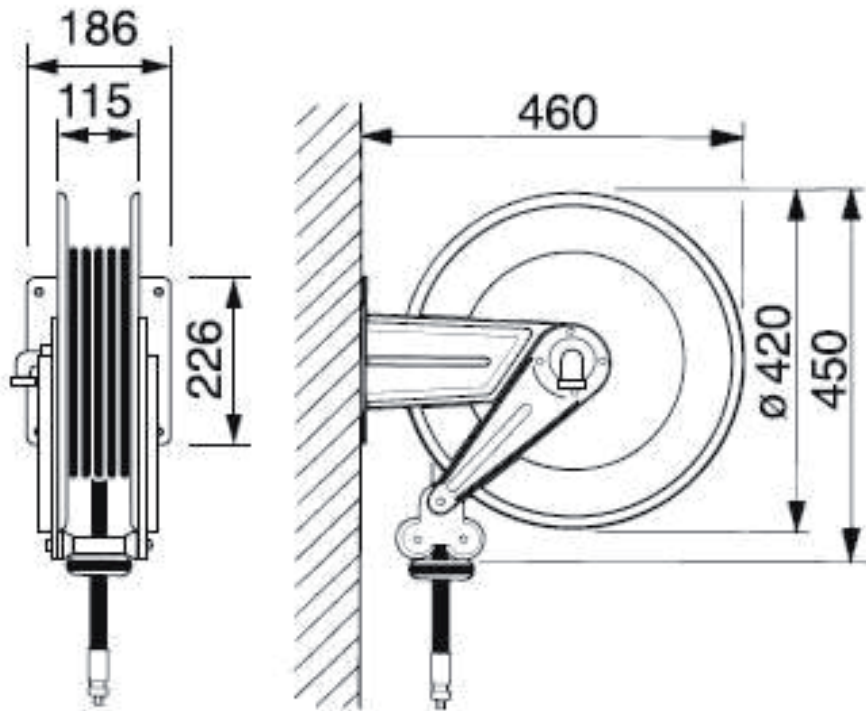


CODE: SHR-10 and SHR-15

Job Name:

Architect/Engineer Approval:

Notes:



Product Description:
HOSEREEL, OPEN, EPOXY STAINLESS STEEL

Drawn:

Checked

Scale:

1 : 8

Approved

Date: