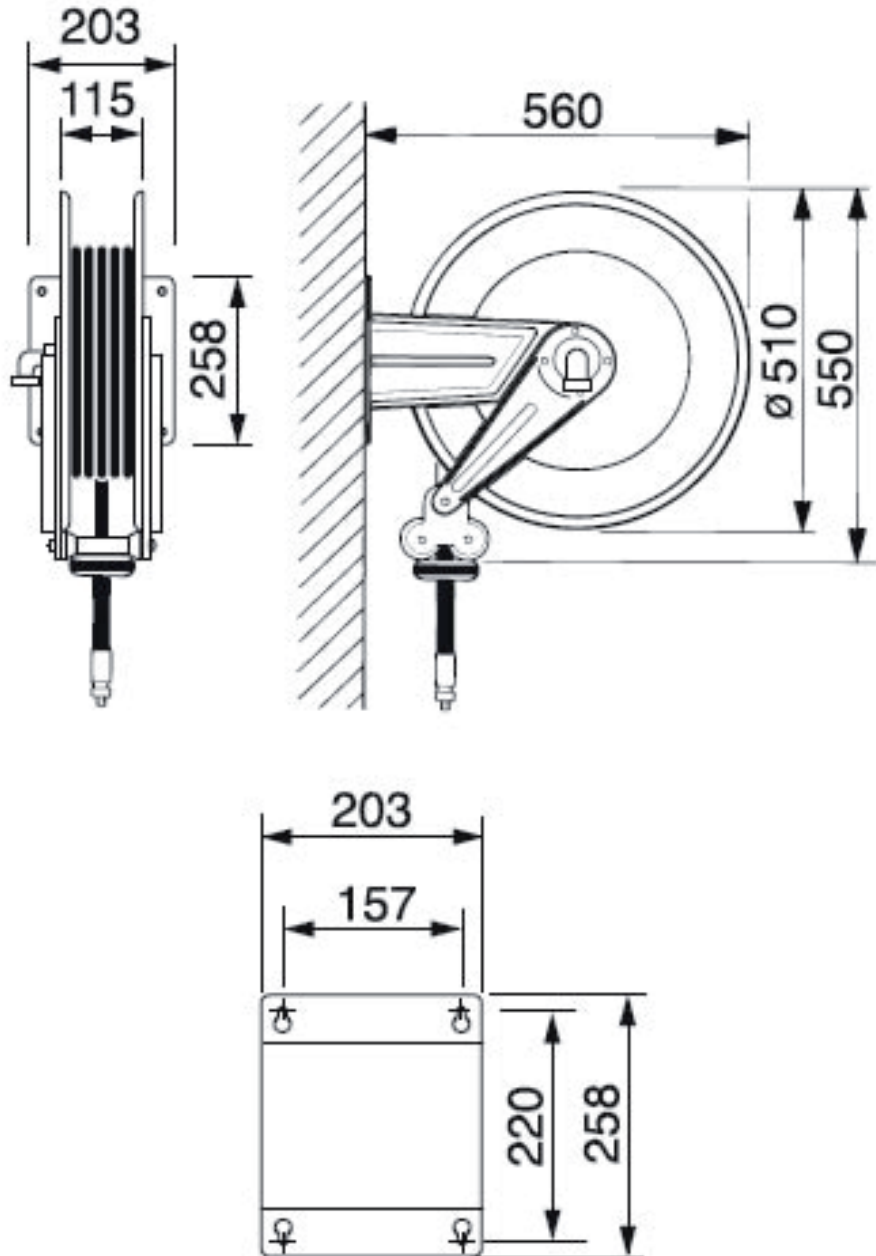


CODE: SHR-20 and SHR-25

Job Name:

Architect/Engineer Approval:

Notes:



Product Description:  
**HOSEREEL, OPEN, EPOXY STAINLESS STEEL**

Drawn:

Checked

Scale:

1 : 8

Approved

Date: